

# 1106307 KOINE 3.1 230V 50HZ

3238742\_1106307\_R02W - R02W (1/3/2024)



#### Access Platform Division

Via San Francesco d'Assisi, 8 - 46020 Pegognaga (Mantova) - ITALY Tel. +39 0376  
554011 - Fax +39 0376 559855

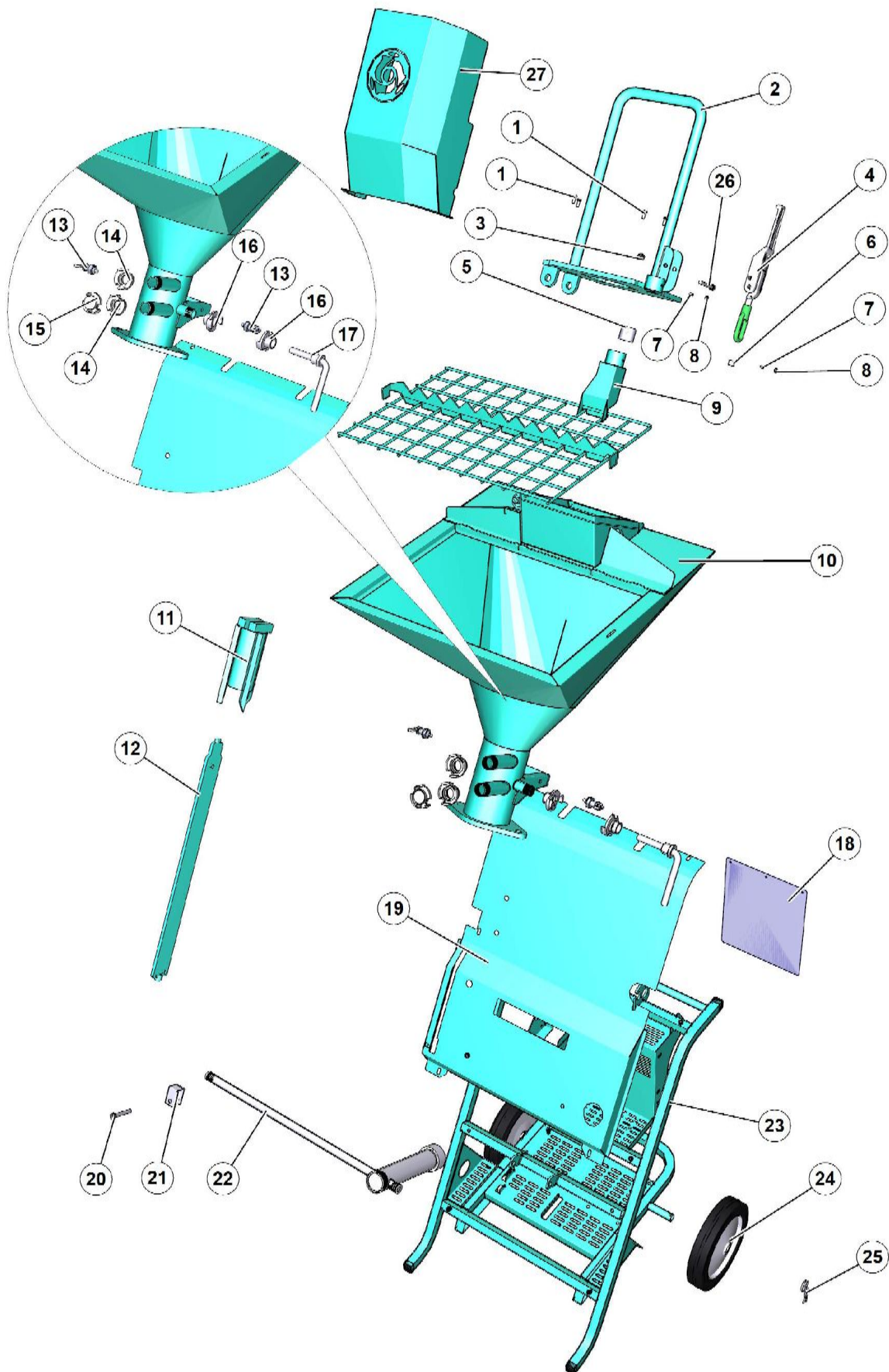
[www.imergroup.com](http://www.imergroup.com)

#### Building Equipment Division

Via della Meccanica, 39 (Zona Industriale Sentino) - 53040 Rapolano Terme  
(Siena) - ITALY - Tel. +39 0577 97341 - Fax +39 0577 704077

[www.imergroup.com](http://www.imergroup.com)

[www.imerglobalcustomercare.com](http://www.imerglobalcustomercare.com)

**FRAME**




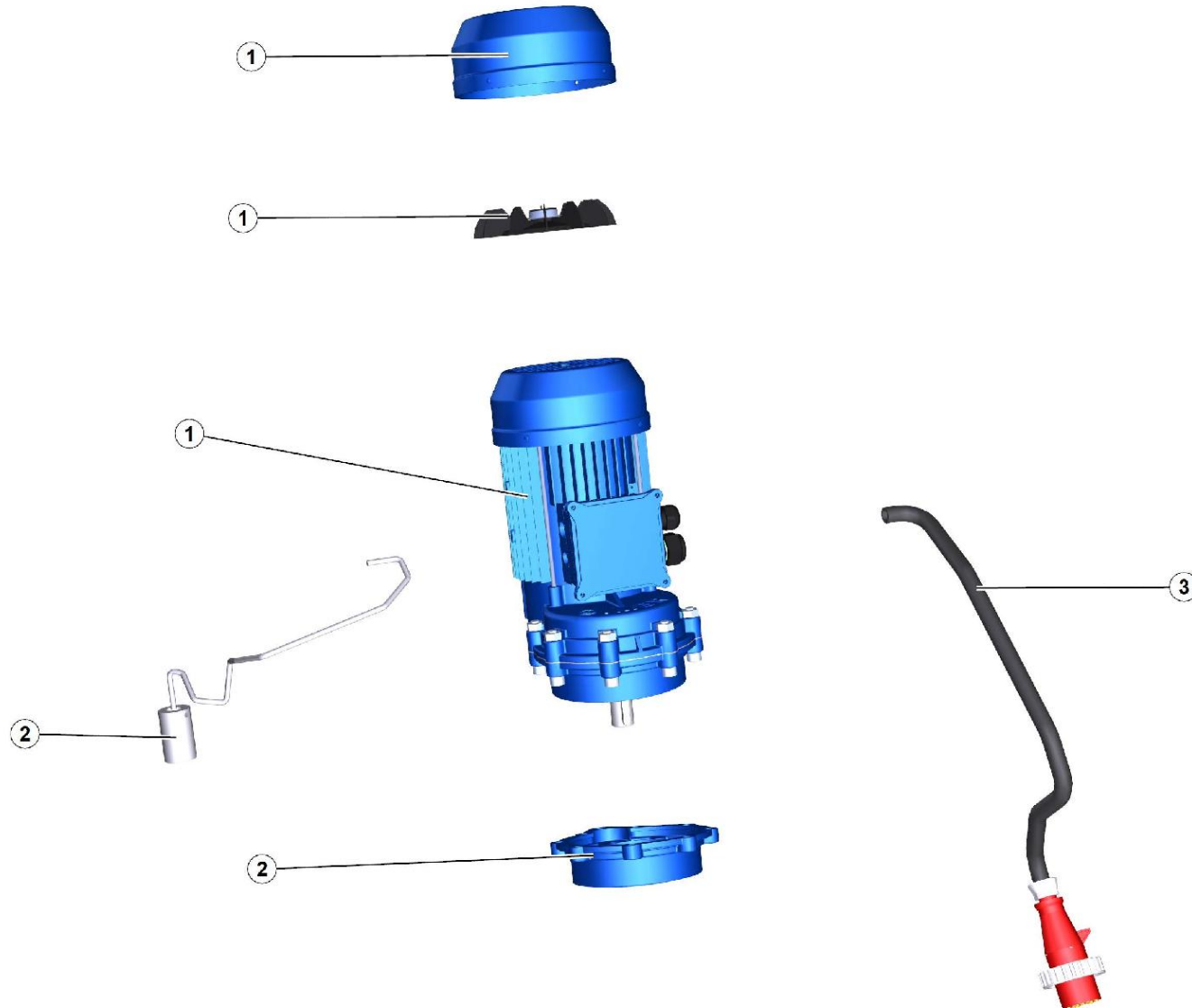
N.	CODE	DESCRIPTION	UM	QTY
1	3292381	3292381 BOLT		4.0
2	3238706	MOTOR SUPPORT	PZ	1.0
3	2223923	LOCK NUT	PZ	4.0
4	3223717	CLOSING HANDLE	PZ	1.0
5	3224243	BUSHING	PZ	1.0
6	3224238	MAGNET	PZ	1.0
7	3225175	SCREW	PZ	2.0
8	2223352	NUT	PZ	2.0
9	3238699	KOINE 3.1 PAINTED GRID	PZ	1.0
10	3238717	DRUM	PZ	1.0
11	3223349	SCRAPER	PZ	1.0
12	3238695	KOINE 3.1 PAINTED SCRAPER SHAFT	PZ	1.0
13	3238694	PISTON WITH LEVER MX1.5 D8	PZ	2.0
14	3223428	QUICK CONNECTOR	PZ	2.0
15	3223429	CAP	PZ	1.0
16	3223636	QUICK CONNECTOR	PZ	2.0
17	3225827	CAP	PZ	1.0
18	3225861	PROTECTION	PZ	1.0
19	3238698	SHEET		1.0
20	2222176	SCREW	PZ	1.0
21	3238835	SHEET	PZ	1.0



N.	CODE	DESCRIPTION	UM	QTY
22	3223354	WRENCH	PZ	1.0
23	3238660	FRAME		1.0
24	2211100	WHEEL	PZ	2.0
25	2226715	SPLIT PIN	PZ	2.0
26	2222072	SCREW	PZ	1.0
27	3238704	SHEET	PZ	1.0



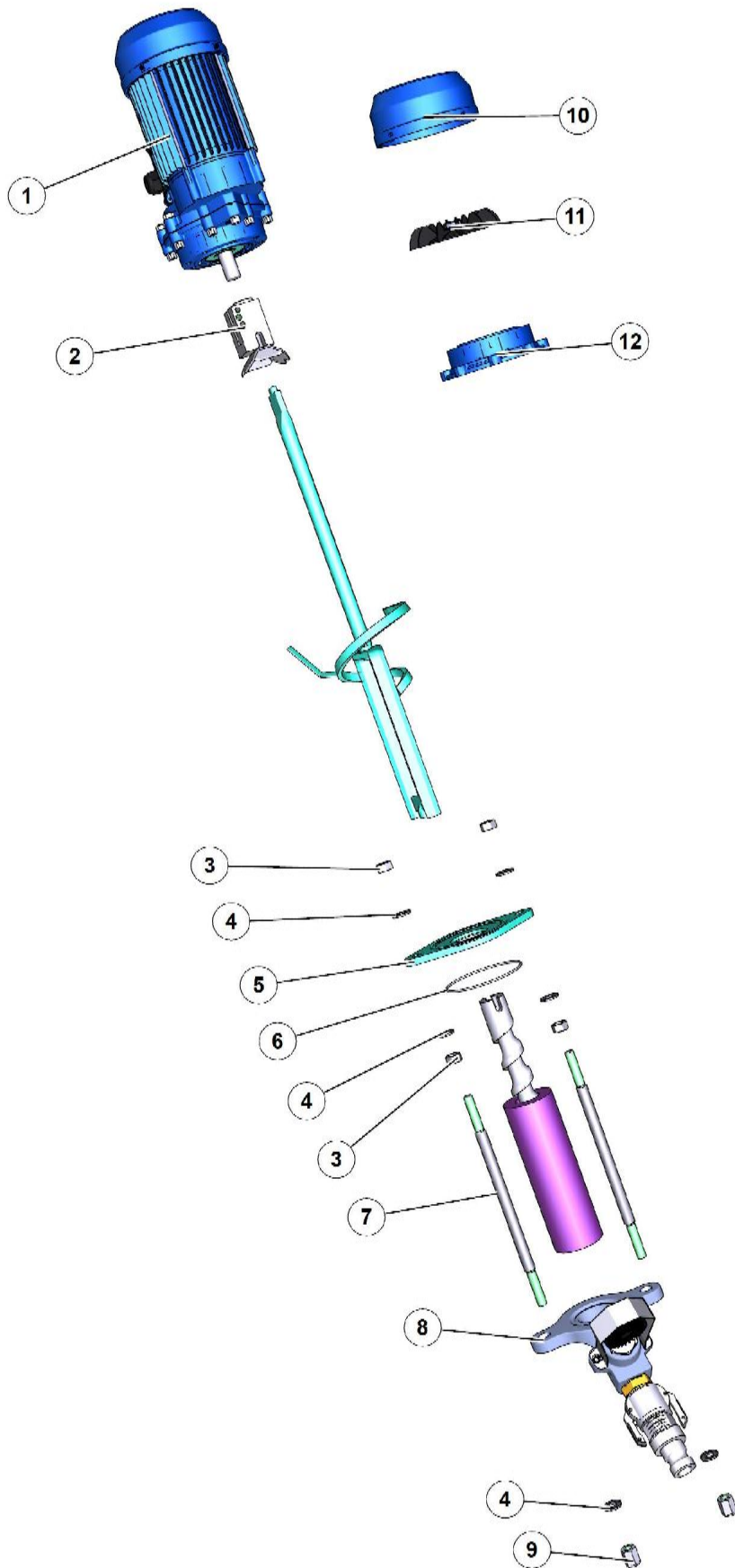
# ELECTRIC GEARMOTOR





N.	CODE	DESCRIPTION	UM	QTY
1	3228423	GEARMOTOR	PZ	2.0
2	3226120	SENSOR	PZ	1.0
3	3238745	MOTOR CABLE	PZ	1.0
4	3228437	COVER	PZ	1.0
5	3234265	FAN MOTOR MEC 90 HOLE ?24	PZ	1.0
6	2291266	FAN COVER	PZ	1.0

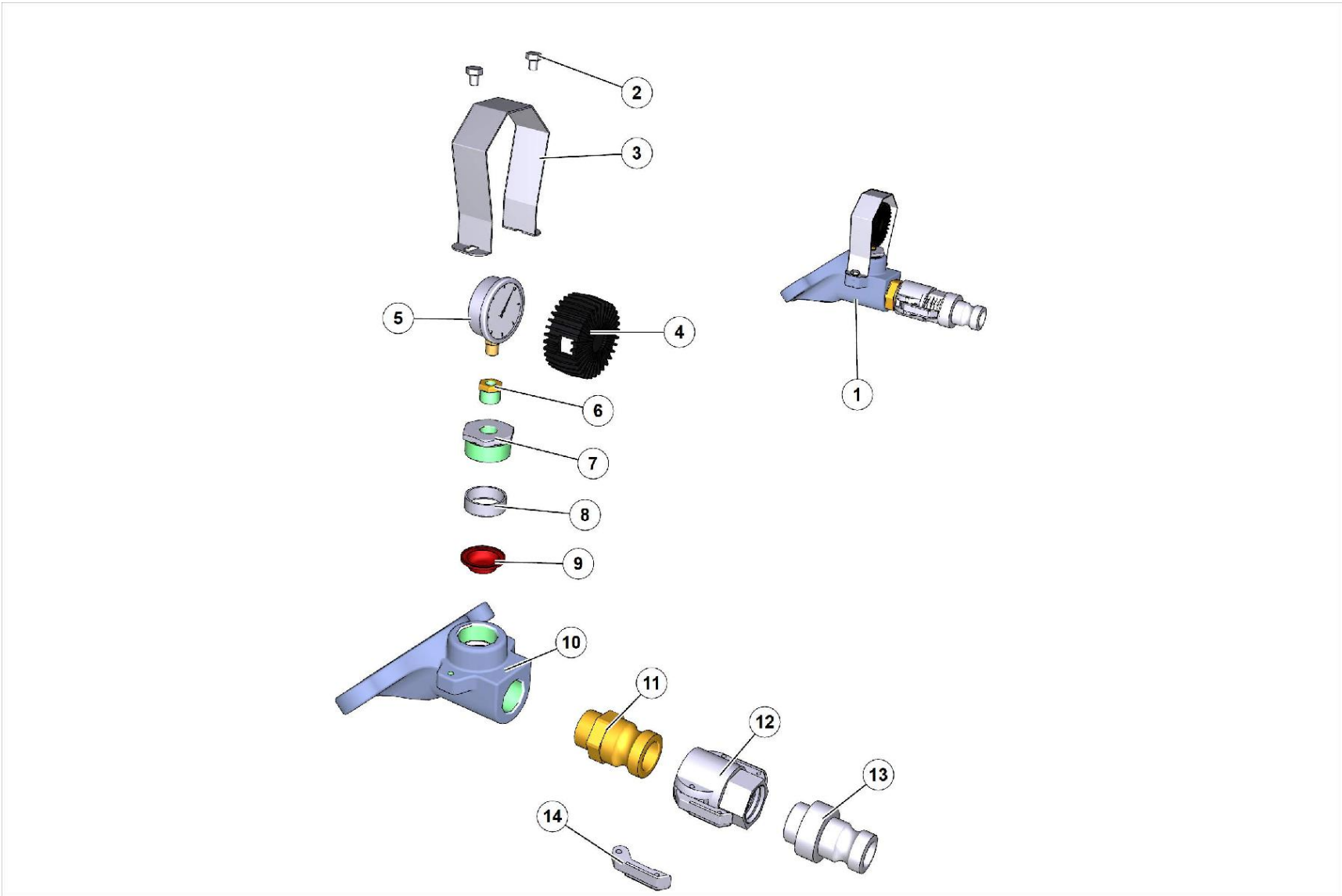
# MIXING CHAMBER





N.	CODE	DESCRIPTION	UM	QTY
1	3228423	GEARMOTOR	PZ	2.0
2	3223352	TERMINAL	PZ	1.0
3	2223806	NUT	PZ	4.0
4	2224640	WASHER	PZ	6.0
5	3238715	KOINE 3.1 PAINTED D SCREW FLANGE	PZ	1.0
6	3239297	O-RING 208	PZ	1.0
7	3238315	KOINE ROD LOWER FLANGE GALVANIZED NUT	PZ	2.0
8	3239023	KOINE 3.1 OUTLET MANIFOLD ASSEMBLY	PZ	1.0
9	3224395	NUT M.16	PZ	2.0
10	2291266	FAN COVER	PZ	1.0
11	3234265	FAN MOTOR MEC 90 HOLE ?24	PZ	1.0
12	3228437	COVER	PZ	1.0

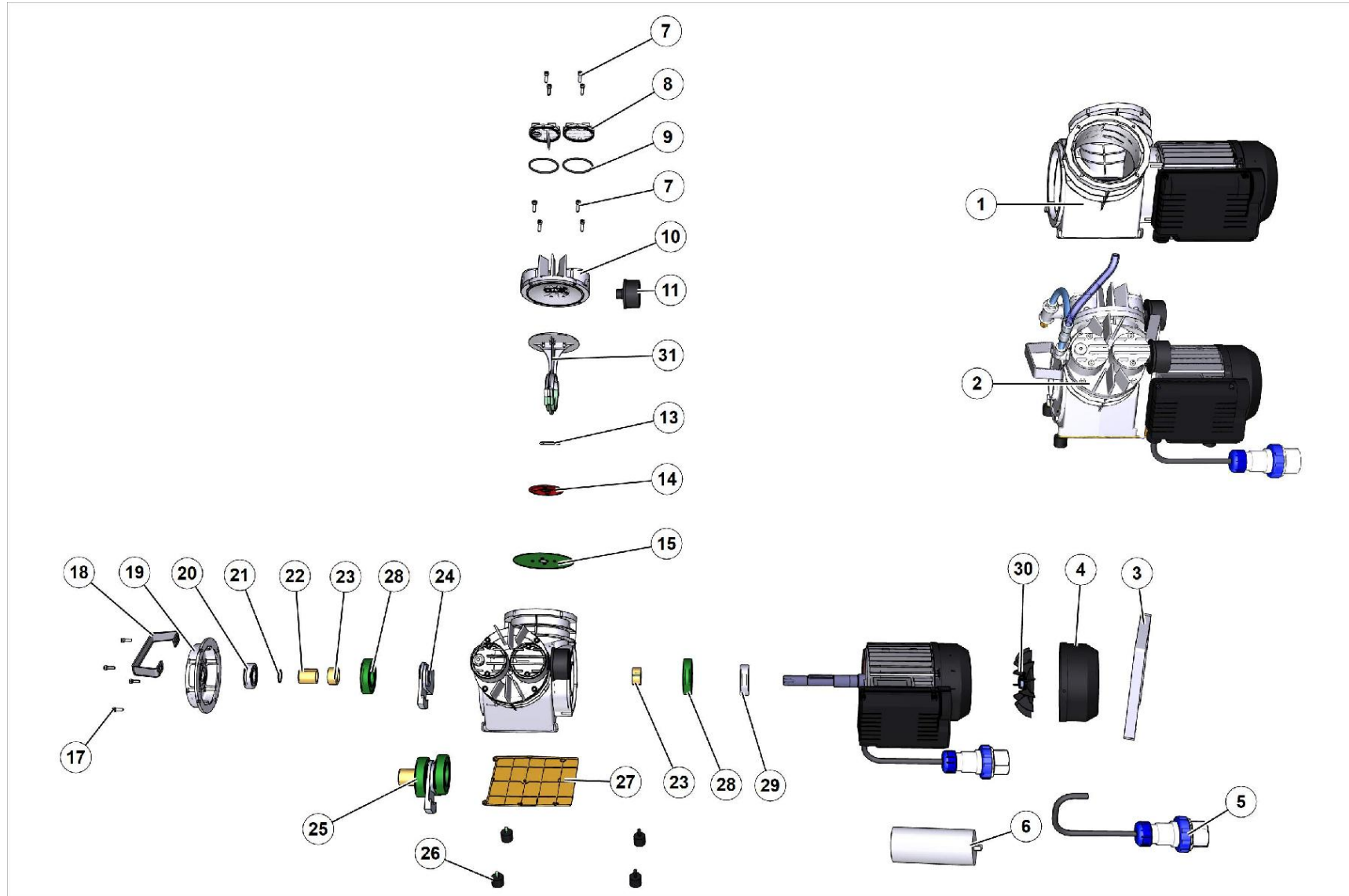
MANIFOLD





N.	CODE	DESCRIPTION	UM	QTY
1	3239023	KOINE 3.1 OUTLET MANIFOLD ASSEMBLY	PZ	1.0
2	2222015	SCREW	PZ	2.0
3	3223389	GUARD	PZ	1.0
4	3223690	COVER	PZ	1.0
5	3223689	MANOMETER/SCREW PUMP	PZ	1.0
6	3223609	REDUCER	PZ	1.0
7	3224173	REDUCTION	PZ	1.0
8	3223391	SPACER	PZ	1.0
9	3223392	MANOMETER'S MEMBRANE/MORTAR PUMP	PZ	1.0
10	3227781	FLANGE	PZ	1.0
11	3223703	'CAM CONNECTION DN35 M-1 "1/4" G M'	PZ	1.0
12	3223704	CAMLOCK COUPLING DN35	PZ	1.0
13	3223390	CAMLOCK COUPLING	PZ	1.0
14	3224498	HANDLE/MORTAR PUMP	PZ	2.0

# COMPRESSOR





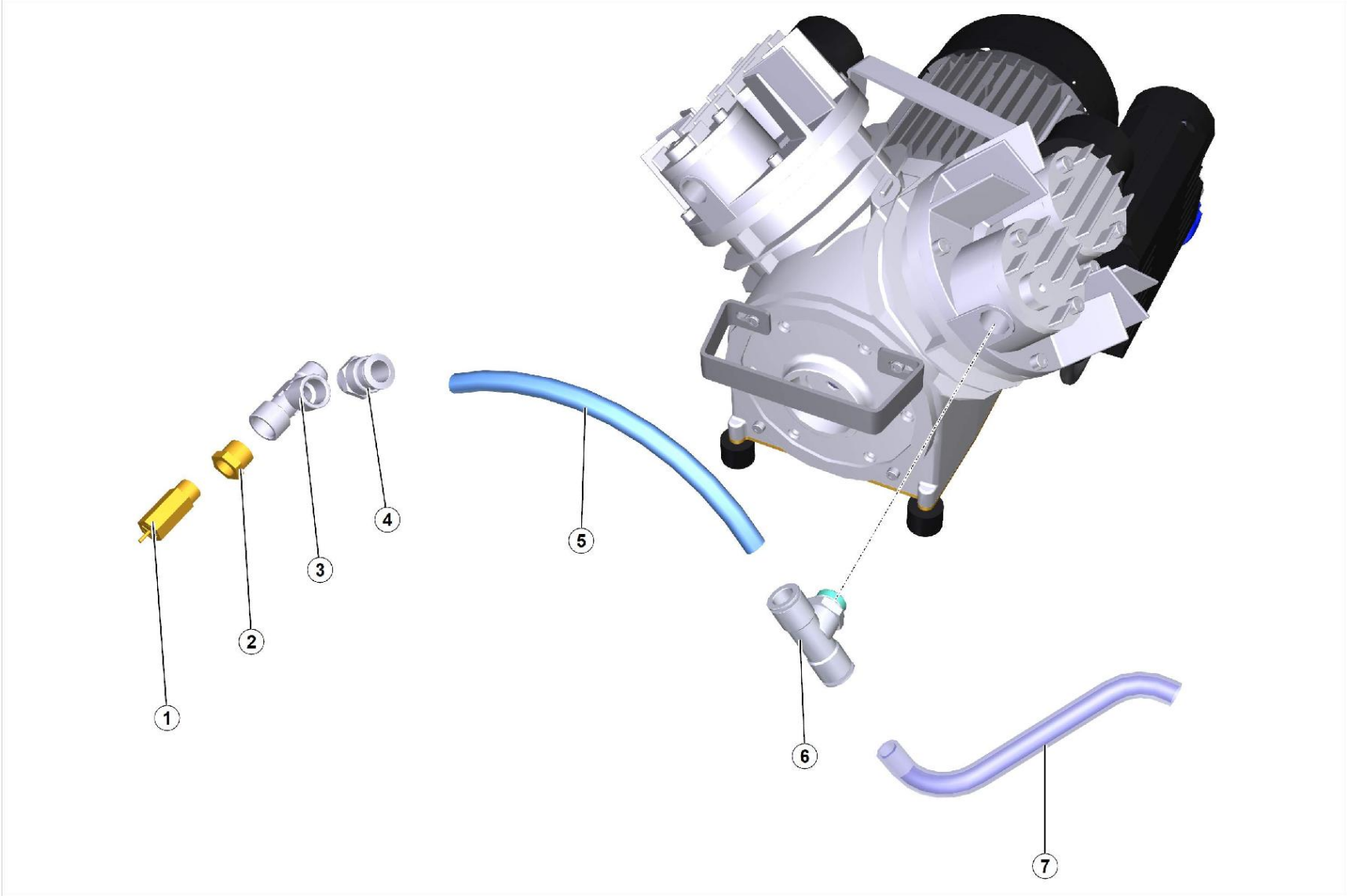
N.	CODE	DESCRIPTION	UM	QTY
1	3228021	CARDBOARD BOX	PZ	1.0
2	3238730	COMPRESSOR IM250 230V-50HZ KW0.75 K.3.1	PZ	1.0
3	3224876	HANDLE	PZ	1.0
4	3226533	FAN COVER/SCREW PUMP	PZ	1.0
5	3239092	CABLE		1.0
6	3226183	CAPACITOR/MORTAR PUMP	PZ	1.0
7	3225074	SCREW	PZ	16.0
8	3224533	RH CAP	PZ	4.0
9	3228399	O-RING 165 D61.92X3.53	PZ	4.0
10	3224532	HEAD	PZ	2.0
11	3224844	AIR-FILTER/SCREW PUMP	PZ	2.0
13	3224548	COMPRESSOR'S PLATE	PZ	2.0
14	3224531	MEMBRANE RETAINER/SCREW PUMP	PZ	2.0
15	3224539	COMPRESSOR MEMBRANE/SCREW PUMP	PZ	2.0
17	3224872	SCREW TCEI 5931 5X 16 A2 INOX	PZ	4.0
18	3238733	HANDLE		1.0
19	3224536	COVER	PZ	1.0
20	3224859	BEARING 6304 2RSH - CM	PZ	1.0
21	3227154	RING	PZ	2.0
22	3224332	SPACER	PZ	1.0
23	3226967	BUSH	PZ	2.0



N.	CODE	DESCRIPTION	UM	QTY
24	3226966	ECCENTRIC BARBELL	PZ	1.0
25	3224300	CAM/SCREW PUMP	PZ	1.0
26	3227825	SCHOCK ABORBER	PZ	4.0
27	3224537	COMPRESSOR PLATE	PZ	1.0
28	3224860	BEARING 6207 2RS1 - CM	PZ	2.0
29	3224763	BEARING 6305 2RS1	PZ	1.0
30	3226532	COMPRESSOR FAN IM250 \$2291453	PZ	1.0
31	3231647	ASSEMBLY PISTON ROD COMPRESSOR IMER 250	PZ	2.0



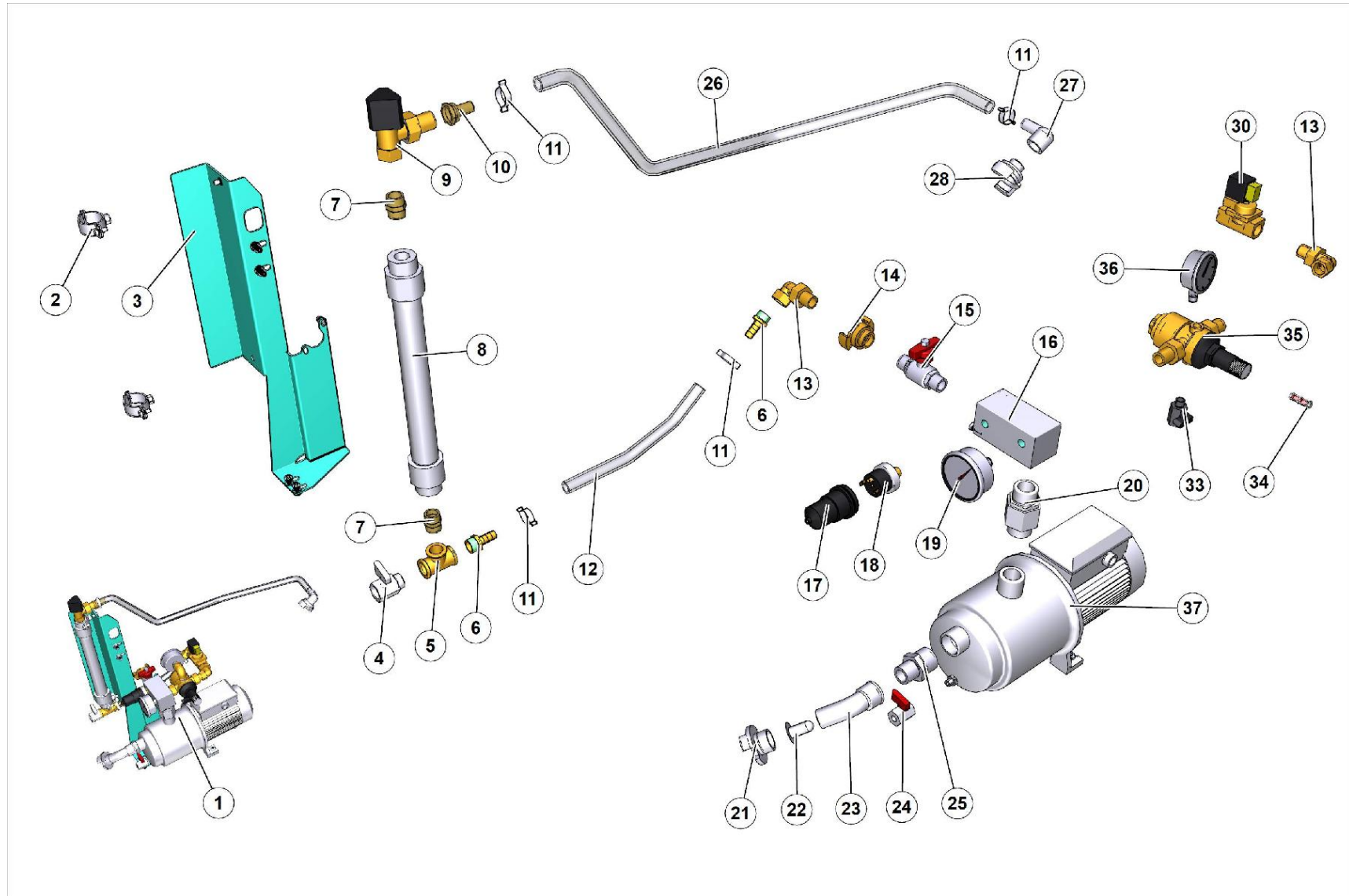
COMPRESSOR FITTINGS





N.	CODE	DESCRIPTION	UM	QTY
1	3224593	SECURITY VALVE/SCREW PUMP	PZ	1.0
2	3229717	'REDUCTION M.3/8" F.1/4" RAW BRASS'	PZ	1.0
3	3239025	'AIR T FITTING 3/8" MFF'	PZ	1.0
4	3239026	CONNECTOR		1.0
5	3238848	HOSE RILSAN 12/10 L300		1.0
6	3238323	'AIR FITTING T QUICK COUPLING 3/8"D12 O	PZ	1.0
7	3238840	HOSE RILSAN 12/10 L400	PZ	1.0

# WATER PLANT



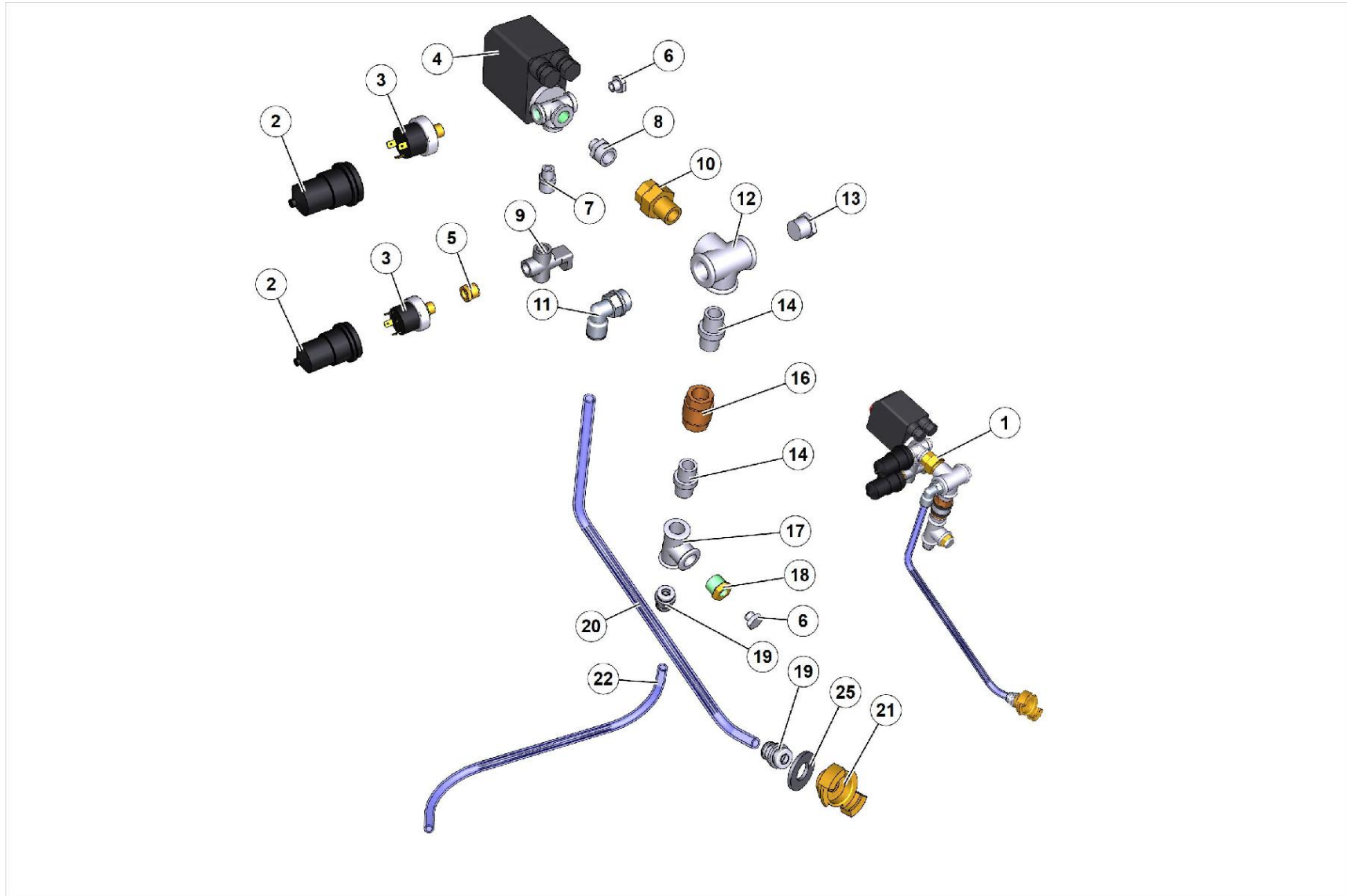


N.	CODE	DESCRIPTION	UM	QTY
1	3238685	WATER SYSTEM KOINE 3.1 230V 50HZ		1.0
2	3224352	'COLLAR 1" '	PZ	2.0
3	3238688	SHEET		1.0
4	3223622	VALVE	PZ	1.0
5	3223617	CONNECTOR	PZ	1.0
6	3223613	HOSE CLAMP/SCREW PUMP	PZ	2.0
7	3223607	NIPPLE	PZ	2.0
8	3223633	FLOW METER	PZ	1.0
9	3223627	VALVE	PZ	1.0
10	3224169	HOSE FITTING	PZ	1.0
11	3223638	RING CLIP	PZ	4.0
12	3238686	WATER PIPE DIAM. 13 15BAR L 30 CM		1.0
13	3223637	ELBOW FITTING	PZ	2.0
14	3224382	QUICK COUPLING	PZ	1.0
15	3238333	VALVE	PZ	1.0
16	3238687	DISTRIBUTOR BLOCK		1.0
17	3226173	RUBBER HOOD FOR PRESSURE SWITCH	PZ	1.0
18	3223630	WATER PRESSURE SWITCH	PZ	1.0
19	3223625	PRESSURE GAUGE/MORTAR PUMP	PZ	2.0
20	3238346	FITTING		1.0
21	3223636	QUICK CONNECTOR	PZ	1.0



N.	CODE	DESCRIPTION	UM	QTY
22	3223639	WATER FILTER/MORTAR PUMP	PZ	1.0
23	3224171	45° BEND	PZ	1.0
24	3223620	VALVE	PZ	1.0
25	3224170	NIPPLE	PZ	1.0
26	3224579	WATER HOSE	PZ	1.0
27	3224580	HOSE CONNECTOR	PZ	1.0
28	3224203	RAPID FIXATION/SCREW PUMP	PZ	1.0
30	3228388	SOLENOID VALVE	PZ	1.0
33	3224206	BALL VALVE	PZ	1.0
34	3226729	FILTER	PZ	1.0
35	3223629	PRESSURE REDUCTOR	PZ	1.0
36	3223626	PRESSURE GAUGE	PZ	1.0
37	3224207	WATER PUMP	PZ	1.0

AIR PLANT



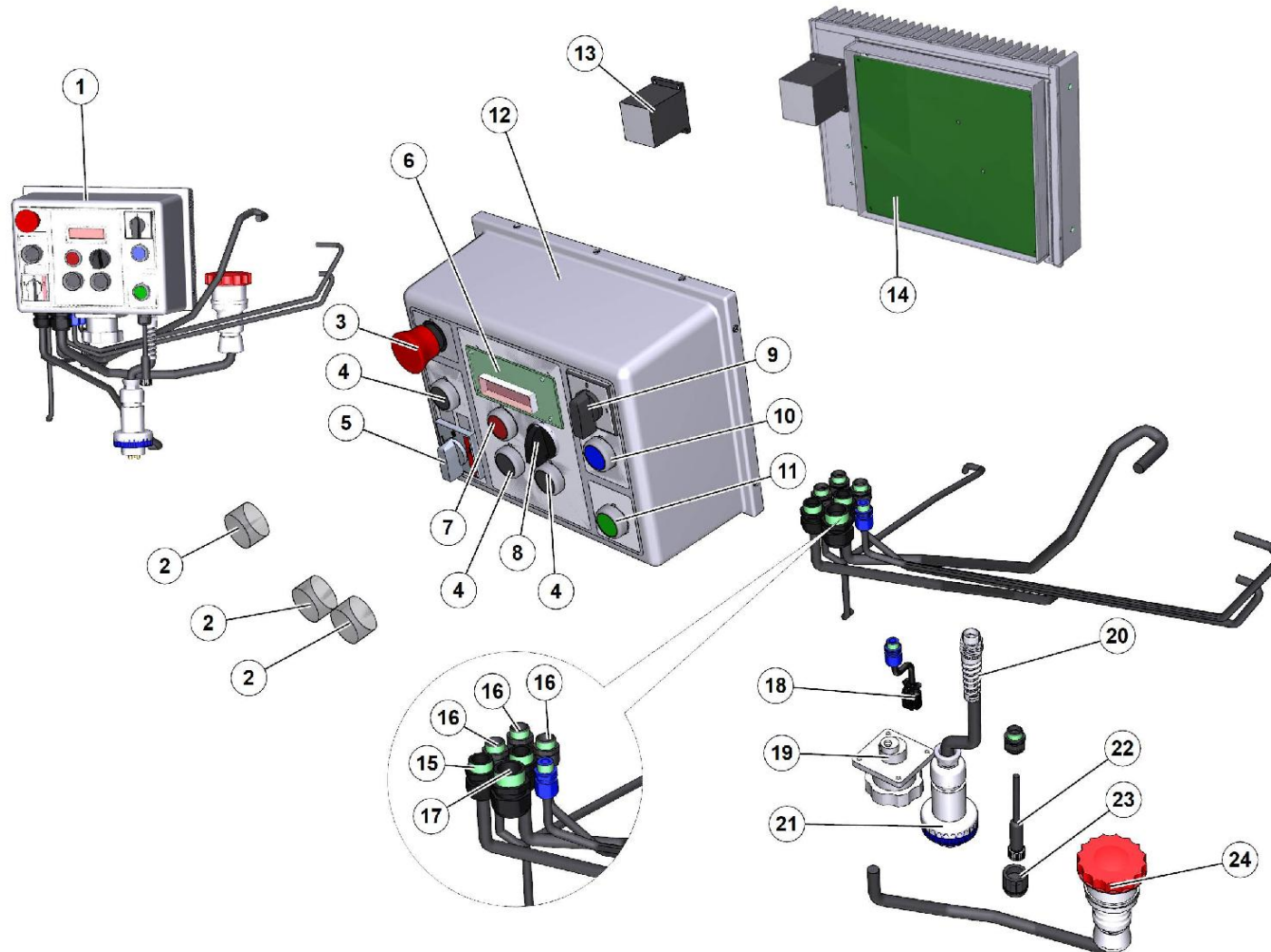


N.	CODE	DESCRIPTION	UM	QTY
1	3238679	KOINE 3.1 AIR GROUP	PZ	1.0
2	3226173	RUBBER HOOD FOR PRESSURE SWITCH	PZ	2.0
3	3223630	WATER PRESSURE SWITCH	PZ	2.0
4	3225843	PRESSURE GAUGE	PZ	1.0
5	3229717	'REDUCTION M.3/8" F.1/4" RAW BRASS'	PZ	1.0
6	3224967	CAP	PZ	2.0
7	3228353	NIPPLES	PZ	1.0
8	3224607	REDUCED NIPPLE	PZ	1.0
9	3238684	BALL VALVE		1.0
10	3223618	PIPE UNION/SCREW PIPE	PZ	1.0
11	3238683	CONNECTOR		1.0
12	3227964	DISTRIBUTOR	PZ	1.0
13	3223610	CAP	PZ	1.0
14	3224362	NIPPLE	PZ	2.0
16	3224360	VALVE/SCREW PUMP	PZ	1.0
17	3224350	CONNECTOR	PZ	1.0
18	3223609	REDUCER	PZ	1.0
19	3238327	CONNECTOR	PZ	2.0
20	3238840	HOSE RILSAN 12/10 L400	PZ	1.0
21	3224382	QUICK COUPLING	PZ	1.0
22	3238840	HOSE RILSAN 12/10 L400	PZ	1.0



N.	CODE	DESCRIPTION	UM	QTY
25	2224640	WASHER	PZ	1.0

# ELECTRIC PANEL



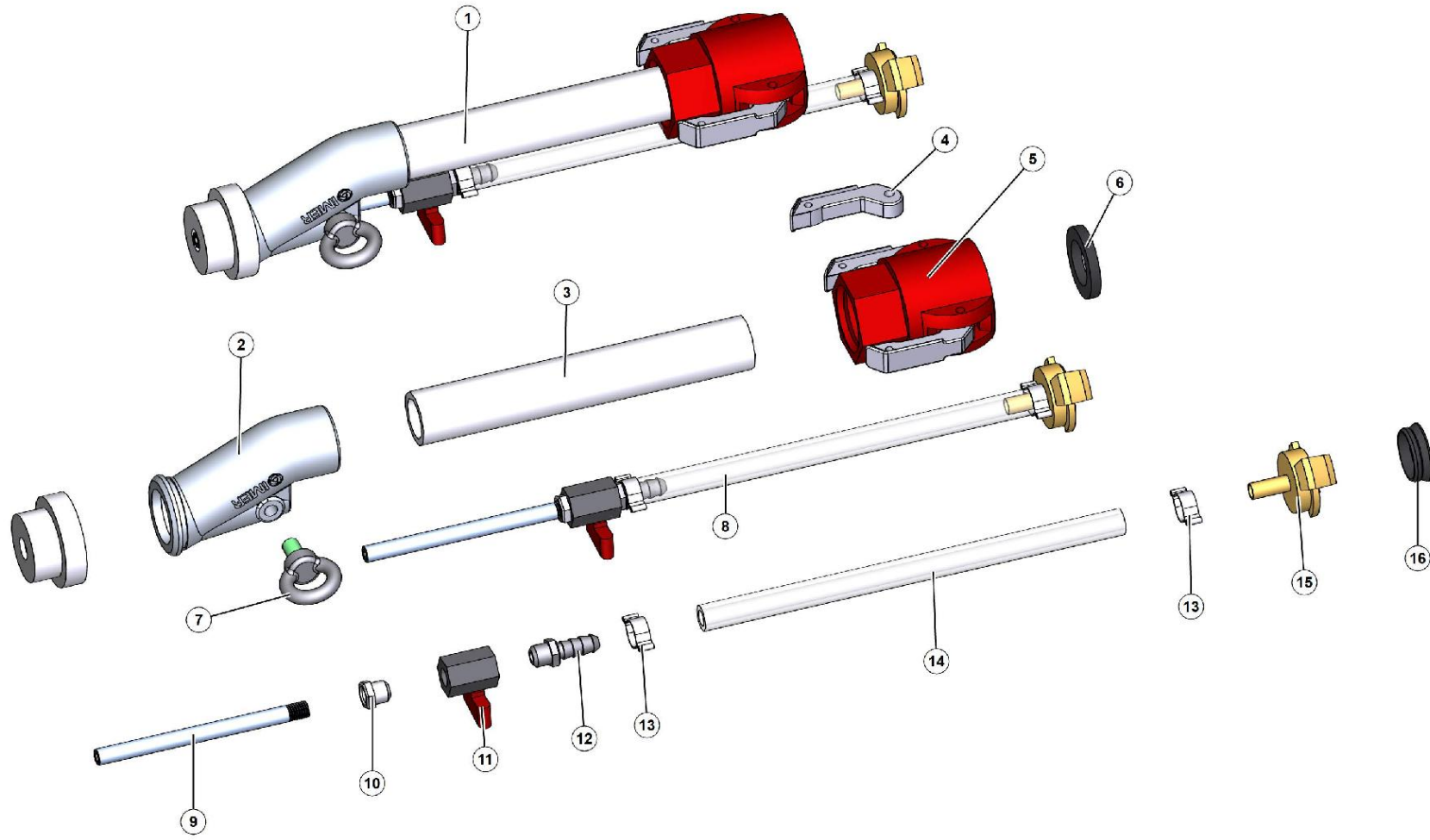


N.	CODE	DESCRIPTION	UM	QTY
1	3238740	ELECTRIC PANEL COMPLETE KOINE 3.1 R2	PZ	1.0
2	3226932	PROTECTION	PZ	3.0
3	3225440	EMERGENCY BUTTON/SCREW PUMP	PZ	1.0
4	3225437	PUSHBUTTON/SCREW PUMP	PZ	3.0
5	3238756	LOVATO 3 POLES-3 POSITIONS SELECTOR GX16	PZ	1.0
6	3229742	INVERTER BOARD DISPLAY 1002-02	PZ	1.0
7	3230449	COMPLETE RED LAMPHOLDER + LED 24 VDC	PZ	1.0
8	3230318	SWITCH 2 LEFT RETURN POSITION +CONTACTS	PZ	1.0
9	3237740	THERMAL CUTOFF ACTUATOR	PZ	1.0
10	3230448	COMPLETE BLUE LAMPHOLDER + LED 24 VDC	PZ	1.0
11	3230356	BLUE LAMP HOLDER	PZ	1.0
12	3238749	CARDBOARD BOX KOINE 3.1 R2	PZ	1.0
13	3230320	FOUR-POLE CONTACTOR 20A COIL 24VDC	PZ	1.0
14	3239014	BOARD	PZ	1.0
15	3201442	CABLE CLAMP/SAW	PZ	1.0
16	3201217	CABLE CLAMP	PZ	4.0
17	3201503	CABLE CLAMP	PZ	1.0
18	3239015	SUPERSEAL 4 PIN WITH PLUG		1.0
19	3230336	COIL	PZ	1.0
20	3213852	CABLE CLAMP	PZ	1.0
21	3203504	PIN	PZ	1.0



N.	CODE	DESCRIPTION	UM	QTY
22	3237745	THERMAL CUTOUT ACTUATOR	PZ	1.0
23	3237744	THERMAL CUTOUT ACTUATOR	PZ	1.0
24	3238755	SOCKET 6P+T 16A IP67 6H 380-415V		1.0

SPRAY GUN DN 25

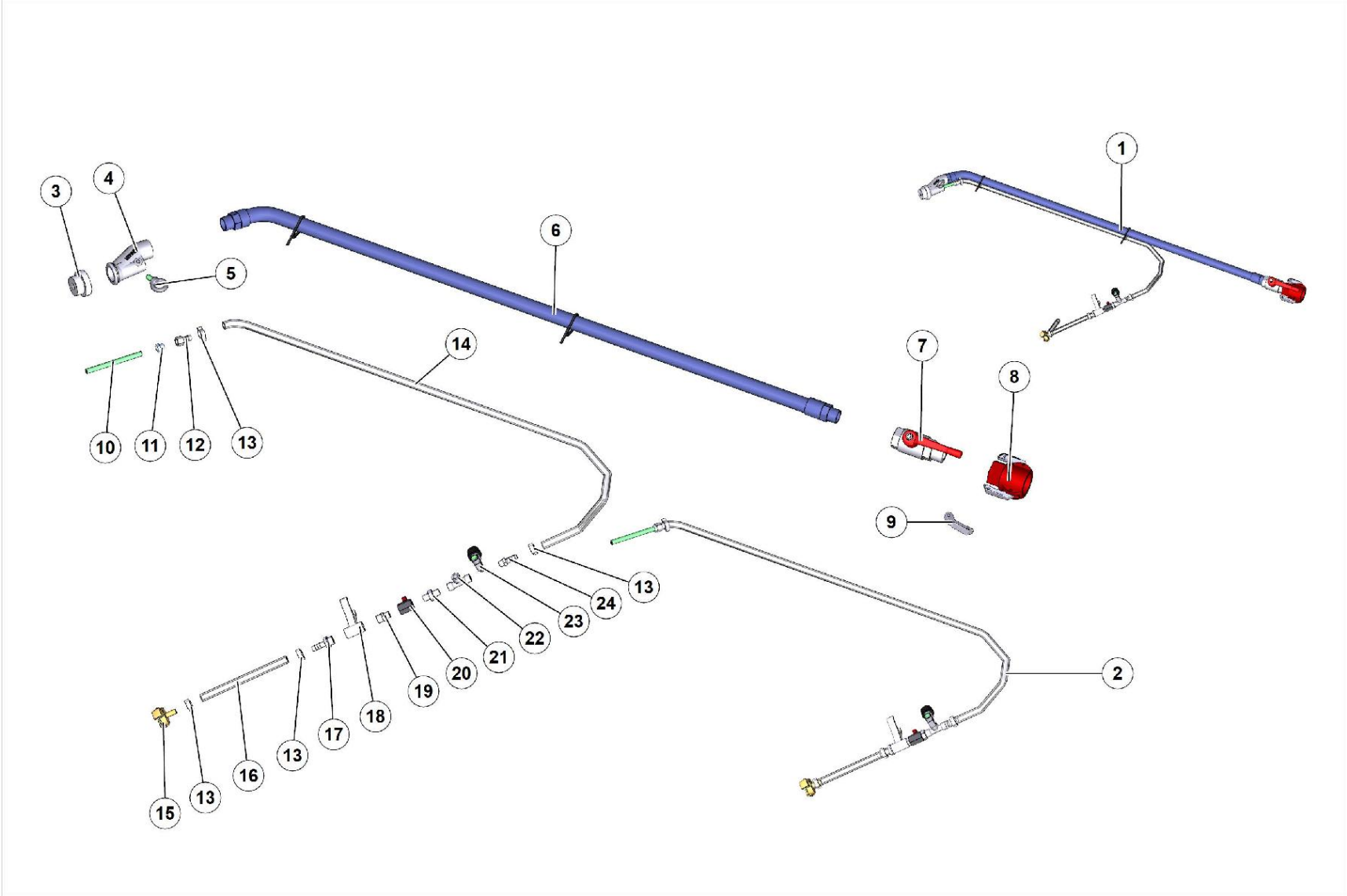




N.	CODE	DESCRIPTION	UM	QTY
1	1107540	Spray gun Koine		1.0
2	3223345	SPRAYJET HEAD/SCREW PUMP	PZ	1.0
3	3223348	TUBE	PZ	1.0
4	3224498	HANDLE/MORTAR PUMP	PZ	1.0
5	3224701	CAM COUPLING/SCREW PUMP	PZ	1.0
6	3224830	GASKET/MORTAR PUMP	PZ	1.0
7	3209356	EYE-BOLT/MORTAR PUMP	PZ	1.0
8	3225598	AIR HOSE/SCREW PUMP	PZ	1.0
9	3223350	AIR PIPE L = 130	PZ	1.0
10	3227954	REDUCER	PZ	1.0
11	3227953	VALVE/SCREW PUMP	PZ	1.0
12	3227955	'HOSE HOLDER M.1 / 4 "X12 BRASS'	PZ	1.0
13	3224823	RING CLAMPS	PZ	2.0
14	2292365	LINE/SAW	M	1.0
15	3224818	QUICK COUPLING WITH RUBBER HOSE D.10	PZ	1.0
16	3223697	GASKET/MORTAR PUMP	PZ	1.0



SPRAY GUN DN25



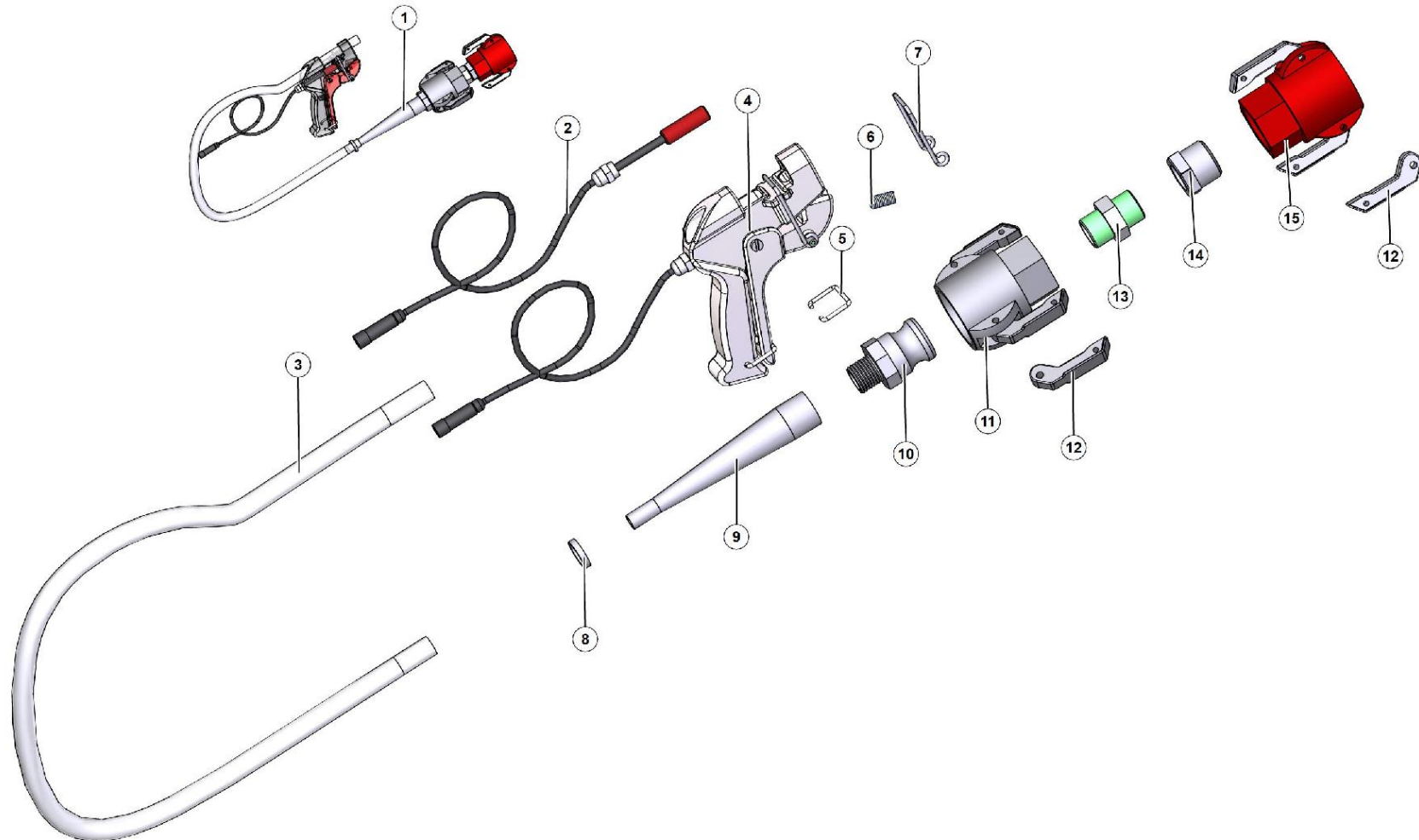


N.	CODE	DESCRIPTION	UM	QTY
1	1107549	Fire-proof spray gun		1.0
2	3226421	AIR HOSE	PZ	1.0
3	1107553	10 pces deflectors kit d. 14		1.0
4	3223345	SPRAYJET HEAD/SCREW PUMP	PZ	1.0
5	3209356	EYE-BOLT/MORTAR PUMP	PZ	1.0
6	3229626	EXTENSION PVC PN16 D.32 ASSEMBLED WITH	PZ	1.0
7	3225833	VALVE/MORTAR PUMP	PZ	1.0
8	3224701	CAM COUPLING/SCREW PUMP	PZ	1.0
9	3224498	HANDLE/MORTAR PUMP	PZ	2.0
10	3223350	AIR PIPE L = 130	PZ	1.0
11	3227954	REDUCER	PZ	1.0
12	3228674	RUBBER HOLDER	PZ	1.0
13	3224823	RING CLAMPS	PZ	4.0
14	2292365	LINE/SAW	M	1.0
15	3224818	QUICK COUPLING WITH RUBBER HOSE D.10	PZ	1.0
16	2292365	LINE/SAW	M	1.0
17	3228354	'HOSE HOLDER M.3 / 8 "X12 BRASS'	PZ	1.0
18	3223344	'RING FITTING WITH THREAD 3/8 "F.'	PZ	1.0
19	3228353	NIPPLES	PZ	1.0
20	3227953	VALVE/SCREW PUMP	PZ	1.0
21	3225186	NIPPLES		1.0



N.	CODE	DESCRIPTION	UM	QTY
22	3224968	COUPLING	PZ	1.0
23	3224496	VALVE/SCREW PUMP	PZ	1.0
24	3227955	'HOSE HOLDER M.1 / 4 "X12 BRASS'	PZ	1.0

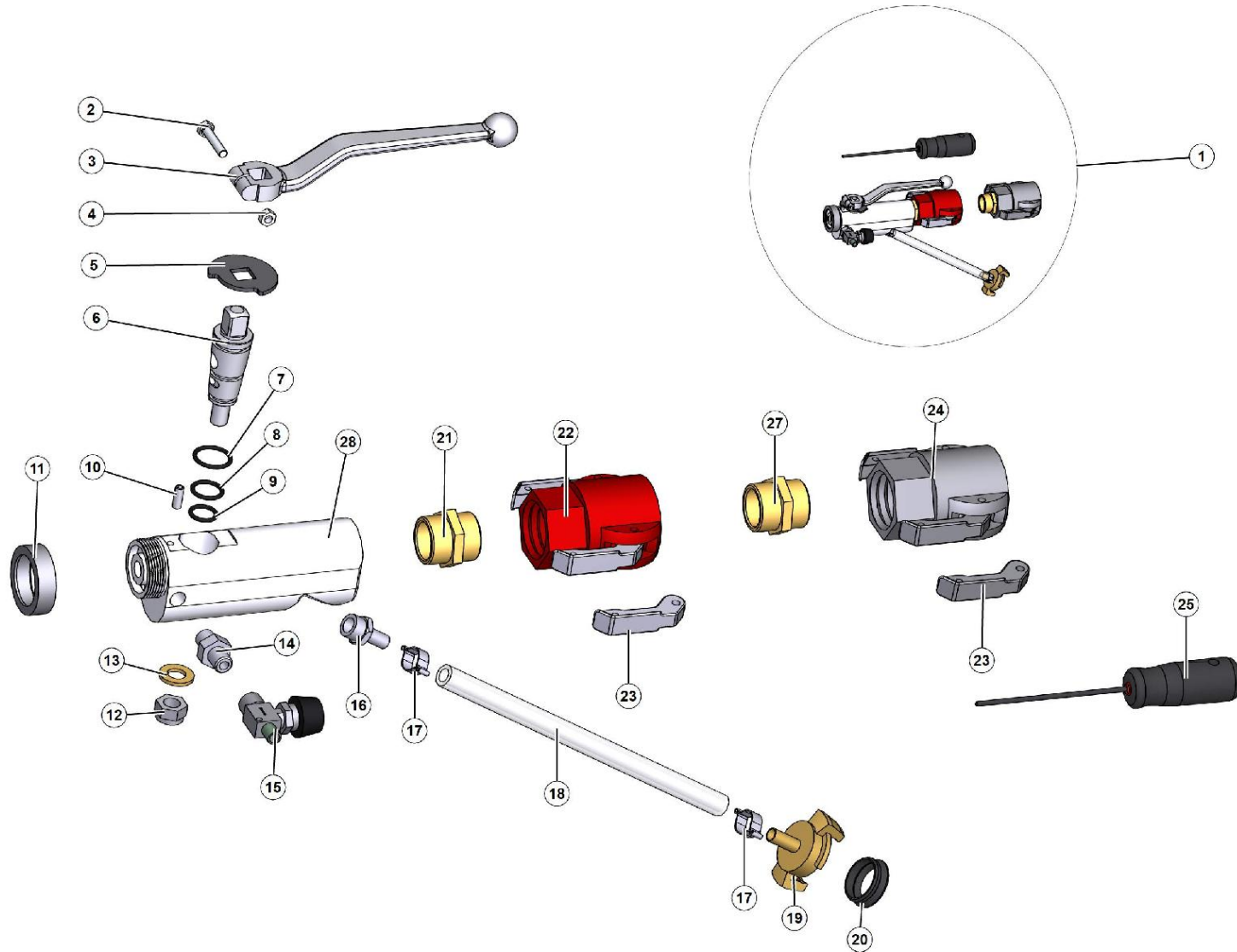
SPACER FILLER GUN DN25





N.	CODE	DESCRIPTION	UM	QTY
1	1108006			1.0
2	3229817	SENSOR		1.0
3	3230154	TUBE		1.0
4	3239086			1.0
5	3229812	SPRING		1.0
6	3229816	SPRING		1.0
7	3229813	SPRING		1.0
8	3225073	CLAMP	PZ	1.0
9	3230121	GALVANIZED CONICAL GUN FITTING FOR JOINT	PZ	1.0
10	3224328	CAM COUPLING	PZ	1.0
11	3224706	CAM COUPLING/SCREW PUMP	PZ	1.0
12	3224498	HANDLE/MORTAR PUMP	PZ	4.0
13	3225620	NIPPLES	PZ	1.0
14	3223608	REDUCER	PZ	1.0
15	3224701	CAM COUPLING/SCREW PUMP	PZ	1.0

# SPRAY GUN FINISHING COAT



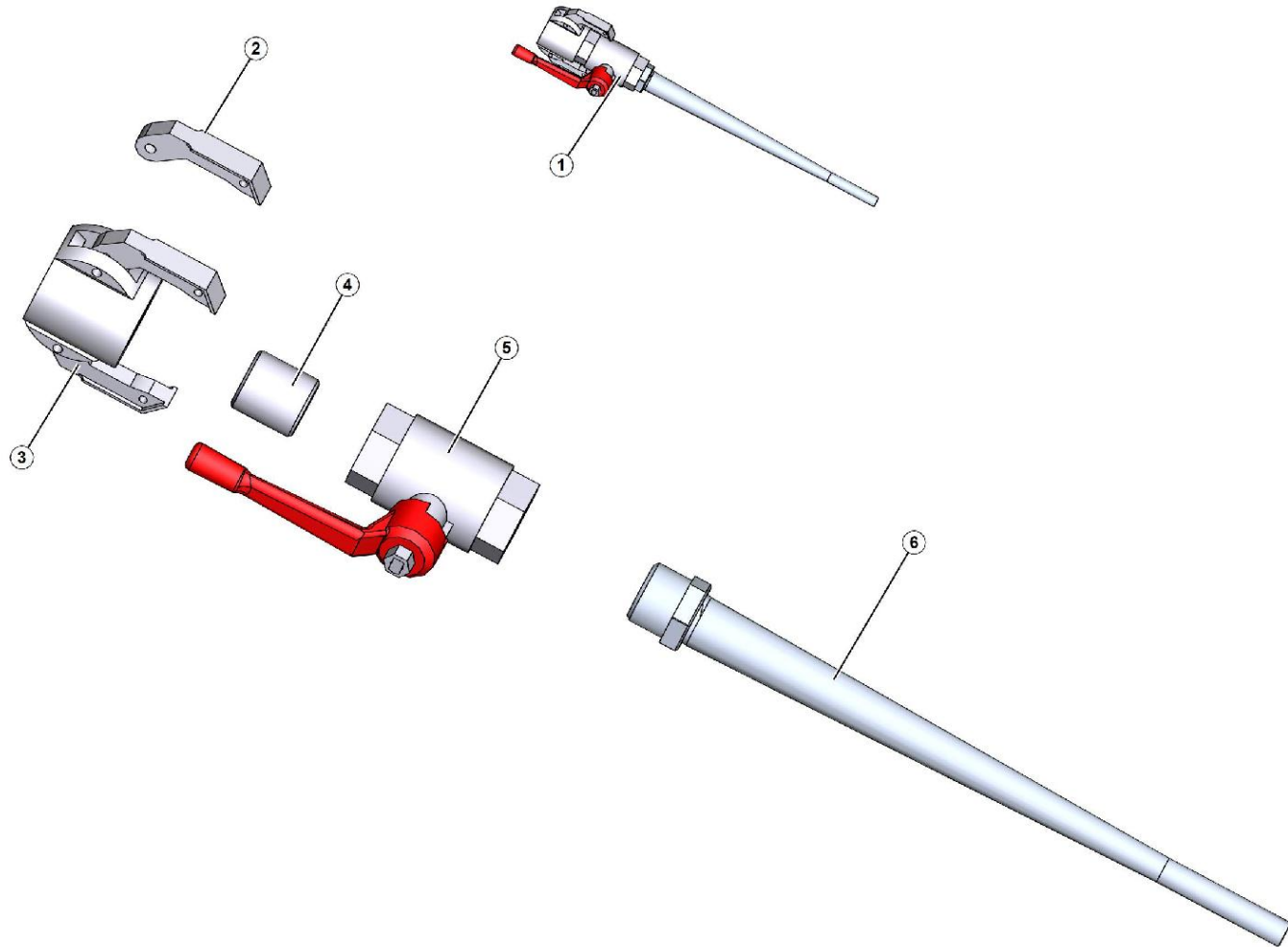


N.	CODE	DESCRIPTION	UM	QTY
1	1107011	Spray gun Small 50		1.0
2	2222022	SCREW	PZ	1.0
3	3223918	HANDLE	PZ	1.0
4	2223280	NUT	PZ	1.0
5	3224280	WASHER		1.0
6	3224281	CONE		1.0
7	3239003	STOP RING		1.0
8	2227067	STOP RING	PZ	1.0
9	3239002	STOP RING		1.0
10	3207673	GRUB SCREW	PZ	1.0
11	3224277	RING/SCREW PUMP	PZ	1.0
12	2223921	NUT	PZ	1.0
13	2224380	WASHER/SAW	PZ	1.0
14	3225186	NIPPLES		1.0
15	3224496	VALVE/SCREW PUMP	PZ	1.0
16	3224817	'HOSE HOLDER M. 3/8 "X10 BRASS'	PZ	1.0
17	3224823	RING CLAMPS	PZ	2.0
18	2292365	LINE/SAW	M	1.0
19	3224818	QUICK COUPLING WITH RUBBER HOSE D.10	PZ	1.0
20	3223697	GASKET/MORTAR PUMP	PZ	1.0
21	3224956	NIPPLES/SCREW PUMP	PZ	1.0



N.	CODE	DESCRIPTION	UM	QTY
22	3224701	CAM COUPLING/SCREW PUMP	PZ	1.0
23	3224498	HANDLE/MORTAR PUMP	PZ	2.0
24	3224706	CAM COUPLING/SCREW PUMP	PZ	1.0
25	3223694	NOZZLE CLEANER/SCREW PUMP	PZ	1.0
27	3224707	REDUCTION NIPPLES/SCREW PUMP	PZ	1.0
28	3224276	SMALL50 SPRAY GUN BODY	PZ	1.0

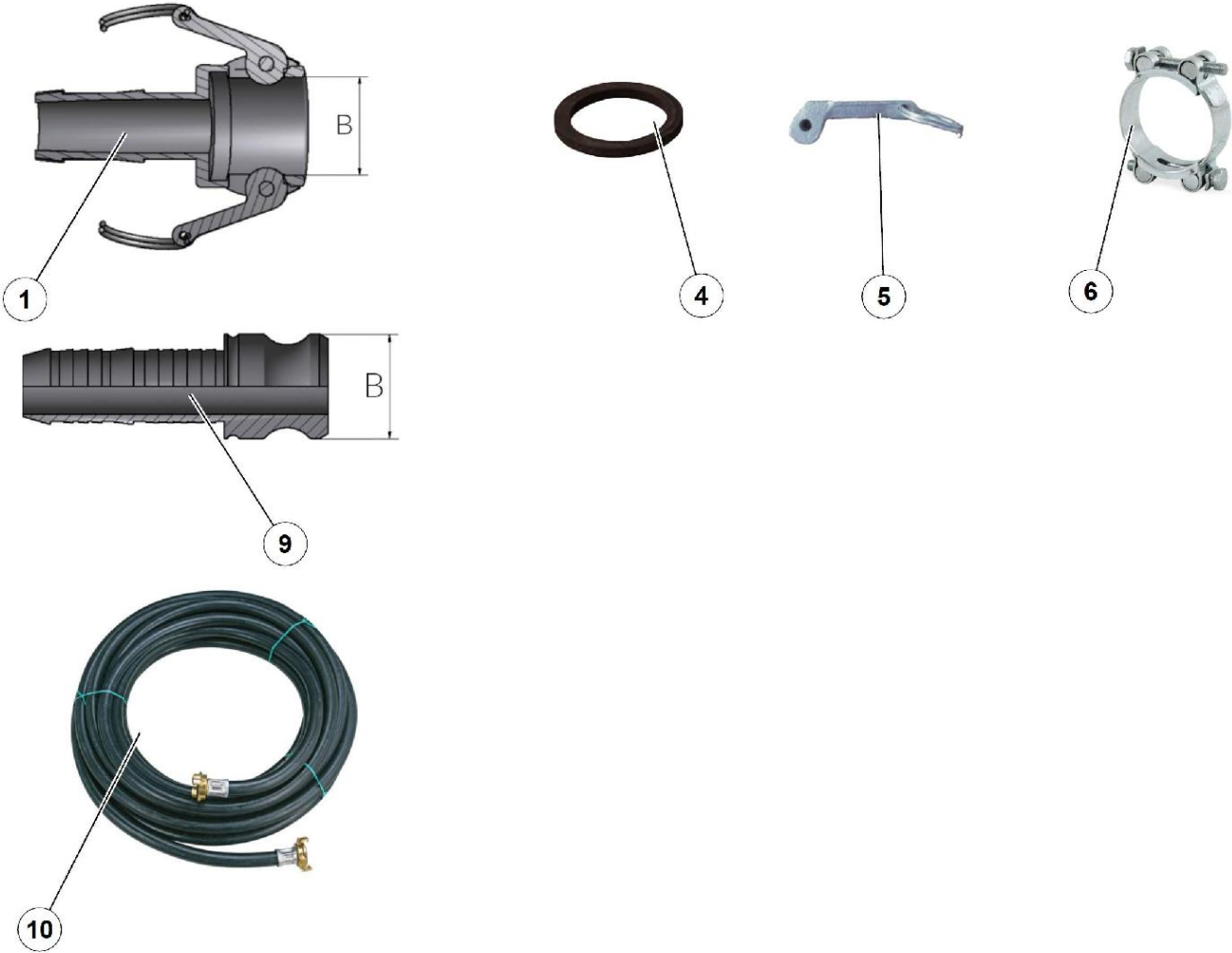
# CONICAL TUBE GUN FOR SPACING DN 25





N.	CODE	DESCRIPTION	UM	QTY
1	1107499	Spray gun for spacing - hose diam 25		1.0
2	3224498	HANDLE/MORTAR PUMP	PZ	2.0
3	3224709	CAM COUPLING/SCREW PUMP	PZ	1.0
4	3224703	BRANCH	PZ	1.0
5	3223865	BALL VALVE	PZ	1.0
6	3235933	GALVANIZED CONICAL GUN FITTING FOR JOINT	PZ	1.0

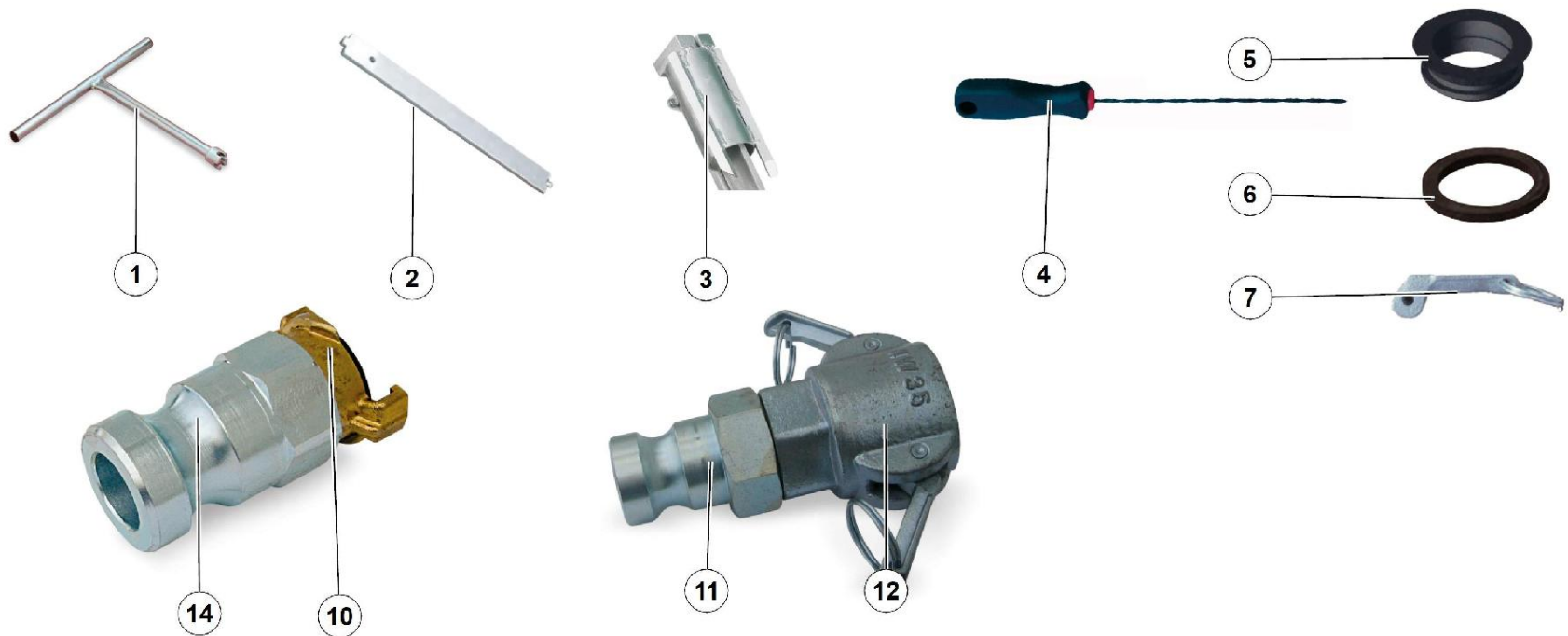
HOSES AND COUPLINGS





N.	CODE	DESCRIPTION	UM	QTY
1	3225934	CAMLOCK COUPLING DN 27 F	PZ	1.0
4	3224830	GASKET/MORTAR PUMP	PZ	1.0
5	3224498	HANDLE/MORTAR PUMP	PZ	1.0
6	3225943	HOSE CLAMP/SCREW PUMP	PZ	1.0
9	3225933	CAMLOCK COUPLING	PZ	1.0
10	3224546	WATER HOSE	PZ	1.0

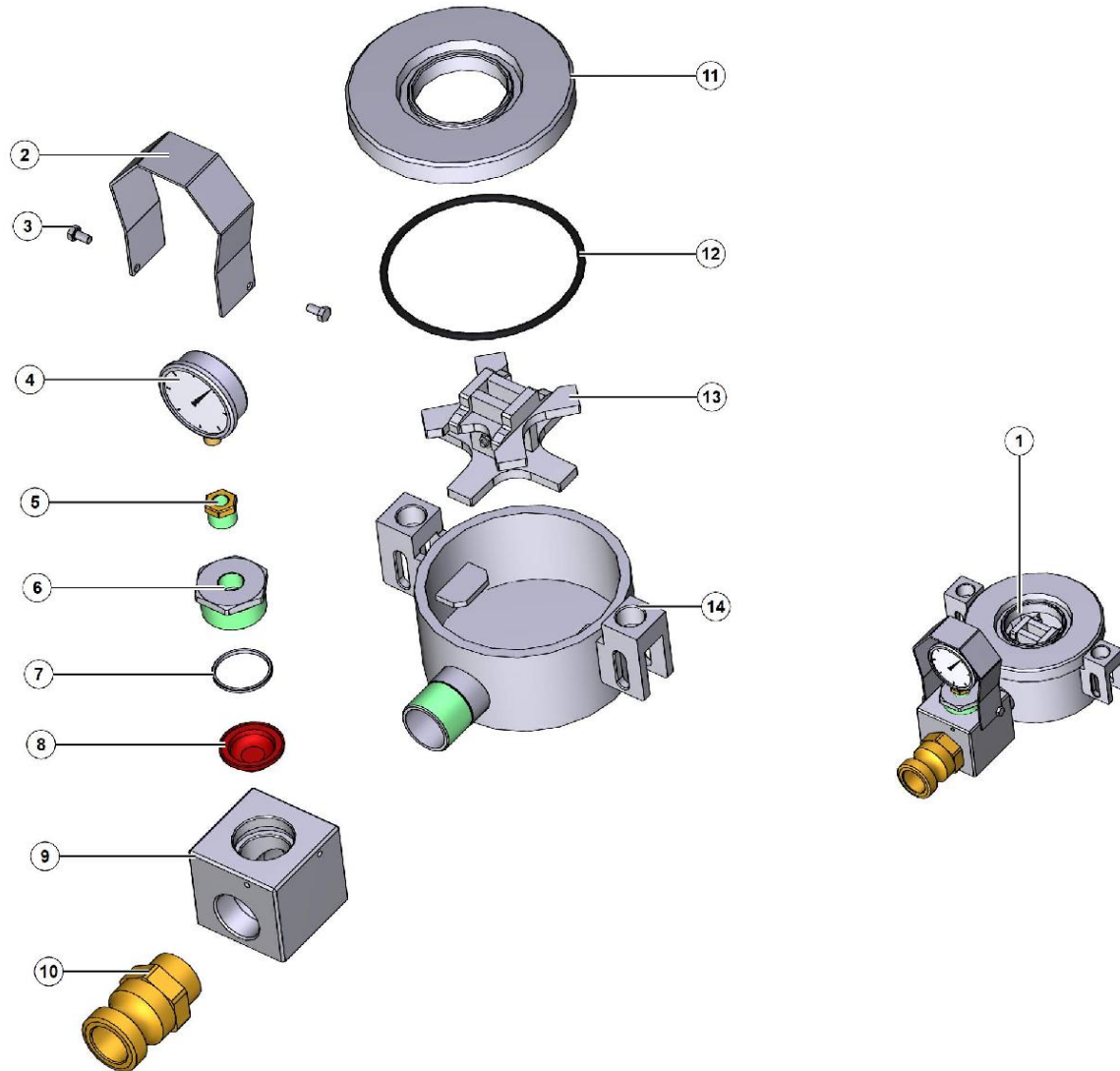
# ACCESSORIES





N.	CODE	DESCRIPTION	UM	QTY
1	3223354	WRENCH	PZ	1.0
2	3223347	VERTICAL SECTION	PZ	1.0
3	3223349	SCRAPER	PZ	1.0
4	3223694	NOZZLE CLEANER/SCREW PUMP	PZ	1.0
5	3223697	GASKET/MORTAR PUMP	PZ	1.0
6	3224831	GASKET/MORTAR PUMP	PZ	1.0
7	3224498	HANDLE/MORTAR PUMP	PZ	1.0
10	3223722	MALE QUICK COUPLING/MORTAR PUMP	PZ	1.0
11	3223390	CAMLOCK COUPLING	PZ	1.0
12	3223704	CAMLOCK COUPLING DN35	PZ	1.0
14	3223721	FIXATION/SCREW PUMP	PZ	1.0

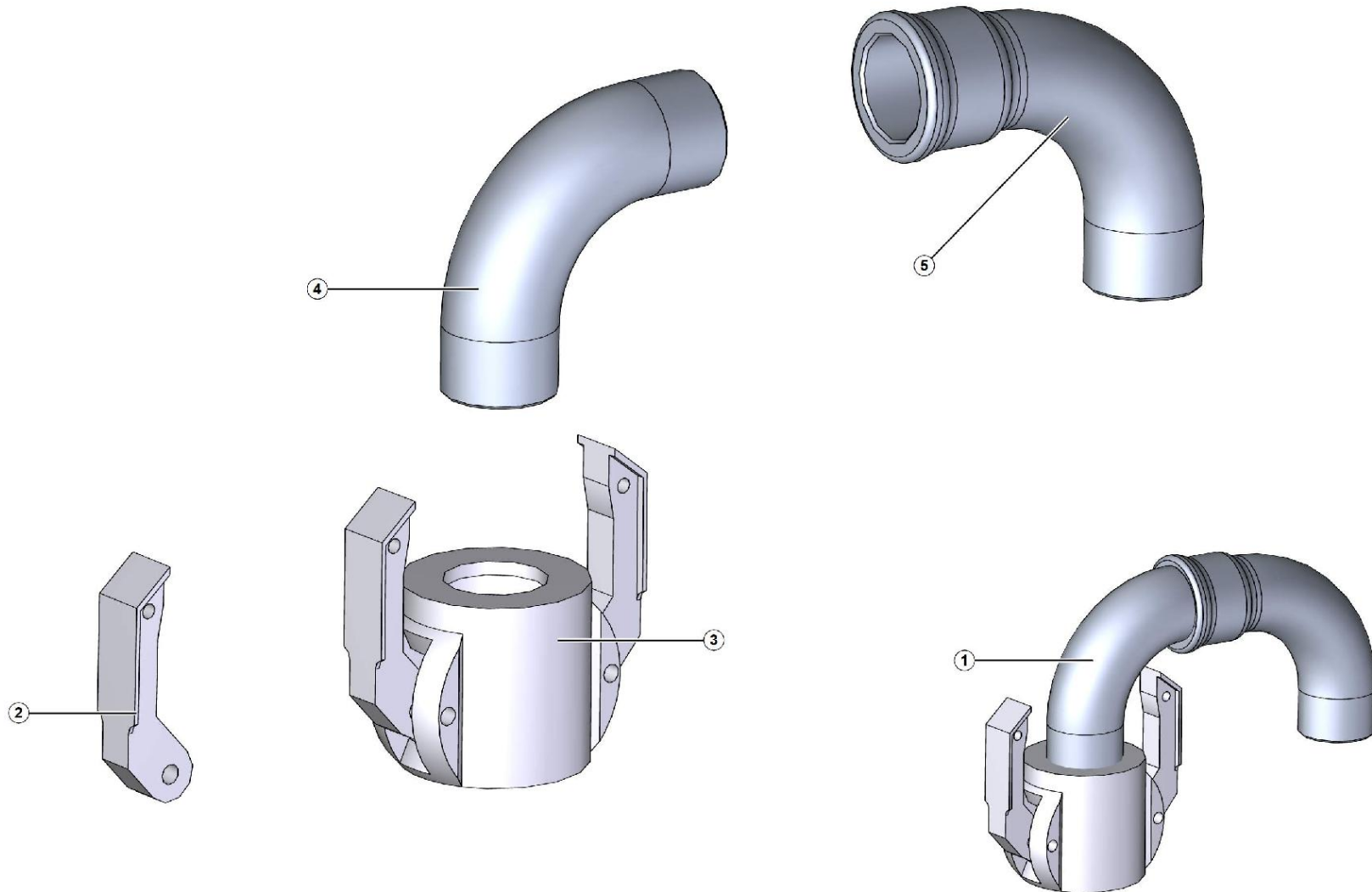
# TURBO MIXER FOR STATOR "D"





N.	CODE	DESCRIPTION	UM	QTY
1	1107517	KOINE 4/5 TURBO MIXER 'D' SERIES		1.0
2	3236056	KOINE PRESSURE GAUGE COVER	PZ	1.0
3	1222004	1222004 BOLT		2.0
4	3223689	MANOMETER/SCREW PUMP	PZ	1.0
5	3223609	REDUCER	PZ	1.0
6	3224173	REDUCTION	PZ	1.0
7	3225902	SPACER/SCREW PUMP	PZ	1.0
8	3223392	MANOMETER'S MEMBRANE/MORTAR PUMP	PZ	1.0
9	3236057	KOINE 4 BODY PRESSURE GAUGE GALVANIZED	PZ	1.0
10	3223703	'CAM CONNECTION DN35 M-1 "1/4" G M'	PZ	1.0
11	3224158	ZINC TURBOMIXER BASIC CAP	PZ	1.0
12	3224329	RING OR 8-215 D.139.7X5.34	PZ	1.0
13	3237380	KOINE 4 TURBOMIXER MOUNTED	PZ	1.0
14	3223794	KOINE TURBOMIXER BASE	PZ	1.0

## U-SHAPED STEEL PIPE DN25

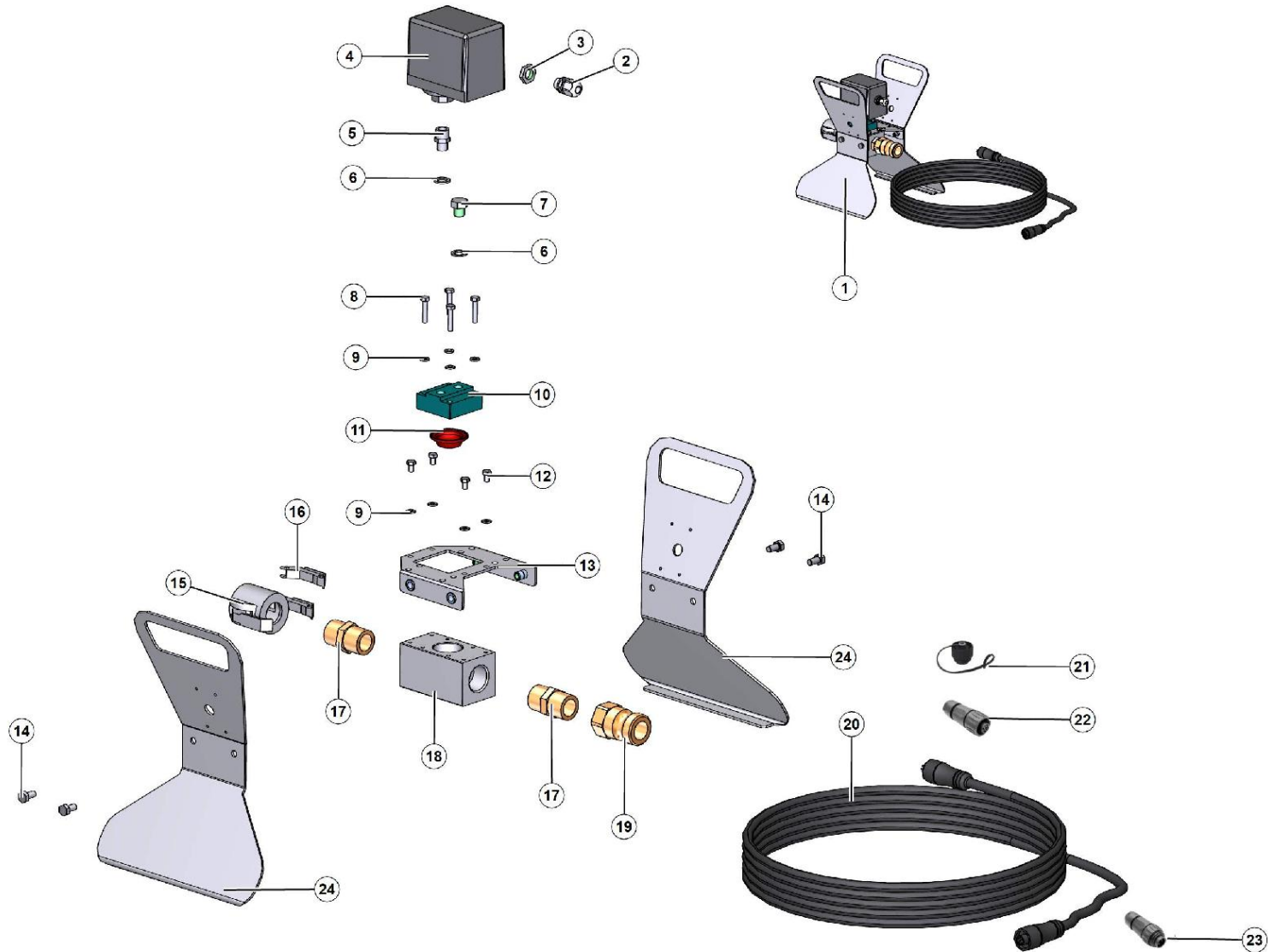




N.	CODE	DESCRIPTION	UM	QTY
1	1107570	Nozzle IM 35		1.0
2	3224498	HANDLE/MORTAR PUMP	PZ	1.0
3	3224709	CAM COUPLING/SCREW PUMP	PZ	1.0
4	3226426	'WIDE RANGE CURVE 90° 1" M.M.'		1.0
5	3226424	'WIDE RANGE CURVE 90° 1" M.F.'		1.0



# PRESSURE METER CONTROL UNIT FOR ELECTRIC PANEL A1





N.	CODE	DESCRIPTION	UM	QTY
1	1108007	Pressure meter unit+press.switch		1.0
2	3227508	CABLE CLAMP/SAW	PZ	1.0
3	3227487	CABLE GLAND NUT/SAW	PZ	1.0
4	3224766	PRESSURE SWITCH	PZ	1.0
5	3228353	NIPPLES	PZ	1.0
6	3251845		PZ	2.0
7	3225126	'CAP 1/4 "M. CYLINDER. SV60 °'	PZ	1.0
8	2222022	SCREW	PZ	4.0
9	2224530	ROLLER/MN	PZ	8.0
10	3237948	PRESSURE GAUGE BLOCK	PZ	1.0
11	3223392	MANOMETER'S MEMBRANE/MORTAR PUMP	PZ	1.0
12	2222003	SCREW	PZ	4.0
13	3238113	PRESS GAUGE SUPPORT PLATE		1.0
14	2222064	SCREW	PZ	4.0
15	3224709	CAM COUPLING/SCREW PUMP	PZ	1.0
16	3224498	HANDLE/MORTAR PUMP	PZ	1.0
17	3224353	NIPPLE	PZ	2.0
18	3237947	PRESSURE GAUGE BLOCK	PZ	1.0
19	3223721	FIXATION/SCREW PUMP	PZ	1.0
20	3237667	CABLE	PZ	1.0
21	3237744	THERMAL CUTOUT ACTUATOR	PZ	1.0



N.	CODE	DESCRIPTION	UM	QTY
22	3237745	THERMAL CUTOUT ACTUATOR	PZ	1.0
23	3239197	THERMAL CUTOUT ACTUATOR	PZ	1.0
24	3224765	PRESS GAUGE SUPPORT PLATE	PZ	2.0



**Access Platform Division**

Via San Francesco d'Assisi, 8 - 46020 Pegognaga (Mantova) - ITALY Tel. +39 0376  
554011 - Fax +39 0376 559855

[www.imergroup.com](http://www.imergroup.com)

**Building Equipment Division**

Via della Meccanica, 39 (Zona Industriale Sentino) - 53040 Rapolano Terme  
(Siena) - ITALY - Tel. +39 0577 97341 - Fax +39 0577 704077

[www.imergroup.com](http://www.imergroup.com)